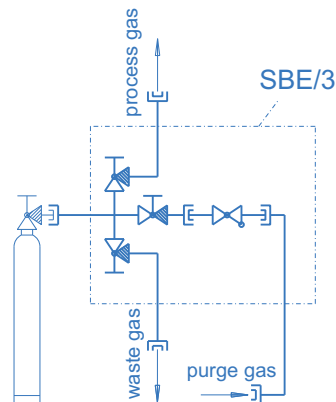


Purge- and connection block SBE/3 **spectro**cem



SBE/3 (without accessories)
process gas valve with pneumatic actuator

Functional schematic SBE/3 (without accessories)



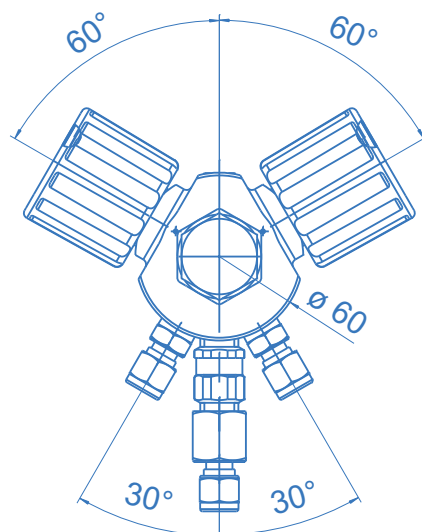
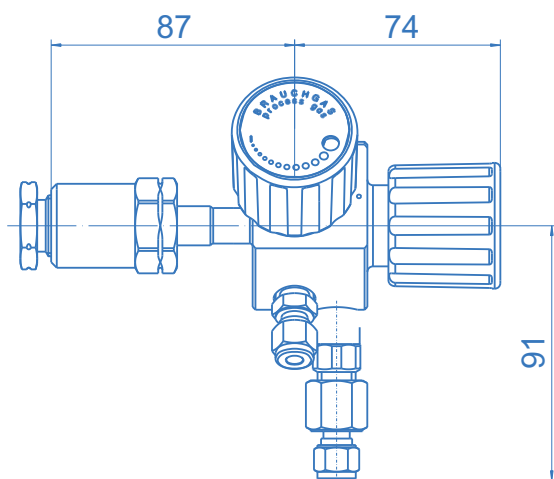
Product features

- Purge- and connection block for use with high-purity, strongly corrosive or toxic gases in combination with an inert gas purge arrangement
- Minimised purge volume of only 1,4 cm³
- With integrated capillary tube (short purge cycles)
- Contaminated purge gas can be vented through waste gas valve without entering the downstream system
- With non-return valve at the purge gas inlet and compression ring fittings
- Available with pneumatic actuators (optional)
- Available with pressure gauge (for low vapour pressure gases), with pressure regulator (mounted onto the purge block) or for use with a pressure control panel (with pigtail)

Technical data

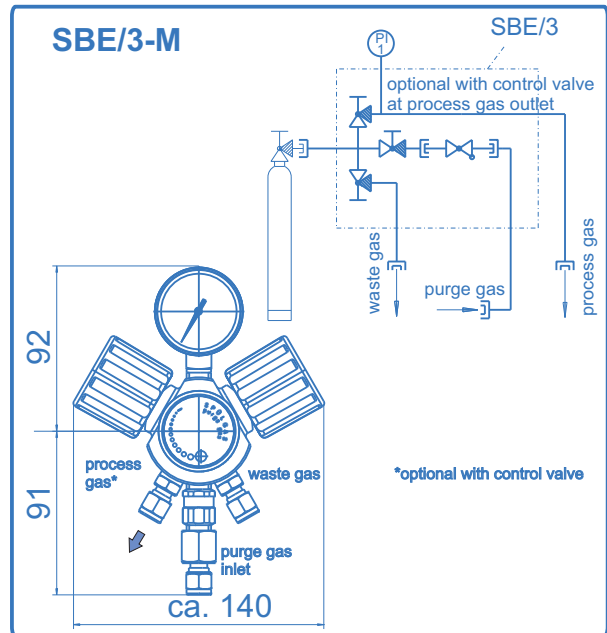
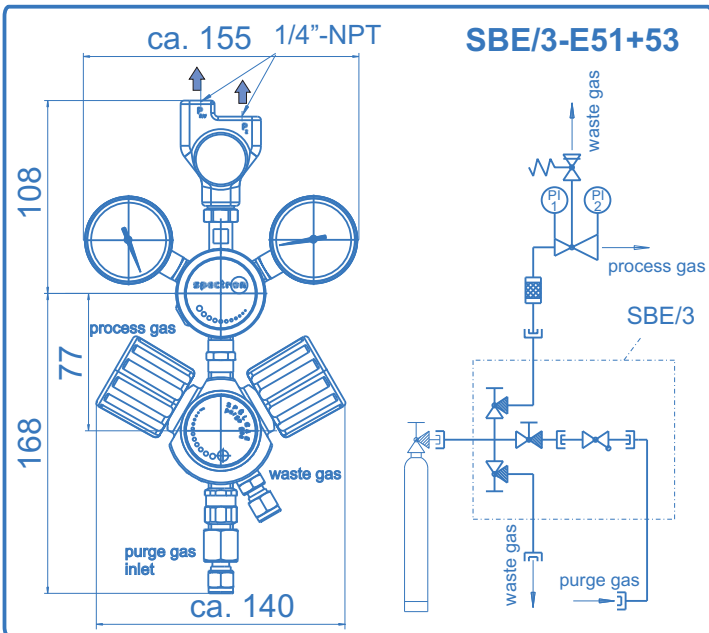
Inlet pressure P₁	max. 300 bar
Materials	
Body:	ES 1.4404 (SS 316L)
Diaphragm:	Hastelloy C276
Valve seat:	PCTFE or PVDF
Cylinder connection	acc. to international standards and gas type
In- and outlet connection	1/4"-NPT female
Temperature range	-30°C to +60°C
c_v-value	c _v = 0,24 (k _v = 0,2)
Nominal diameter	DN 4
Leak rate	10 ⁻⁸ mbar l/s He
Weight	1,6 kg

SBE/3-SE



SBE/3-SE (with compression ring fittings and non-return valve at the purge gas inlet)

Purge- and connection block SBE/3



Additional configurations upon request!

Ordering information:
SBE/3 series purge- and connection blocks

SBE/3 - SE - DIN 8 - F₂ / He

Type

- SE - purge-block to be connected with pigtail of pressure control panels SE45/55/125
- M - purge-block with pressure gauge for vapour pressures up to 2 bar
- E51/10 - purge-block with single-stage pressure regulator up to 10 bar
- E53/1,5 - purge-block with double-stage pressure regulator up to 1,5 bar
- E53/4 - purge-block with double-stage pressure regulator up to 4 bar

Type of gas

Please specify type of gas with your order!

Cylinder connection

Detailed description of the cylinder connection including the relevant standard and the number of the connection (e.g. BS no. 3)

Specifications

- SPECTROCEM - components guarantee maximum quality by using high grade materials and a quality assurance program acc. to ISO 9001.
- All components which come into contact with the medium are cleaned in an ultrasonic cleaning system (CFC-free) with the special cleaning process SPECTRO-CLEAN® and are then baked out.
- SPECTROCEM - components undergo a 100% Helium-leak-test.

Pressure indication

- All pressure regulators are equipped with pressure gauges for inlet- and outlet pressure indication.

Important note regarding component selection

- In order to assure safe operation it is essential to take the configuration of the whole system into account when selecting a pressure regulator.
- The function of the regulator, the compatibility of the materials, correlating temperature ranges, correct installation, operation and maintenance in accordance with the relevant regulations are the responsibility of the system designer and the user.