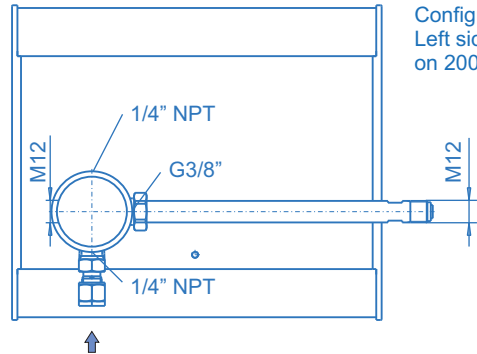


Extensions BE 65-E



Extensions BE 65-E

Front view BE 65-E



Configuration:
Left side extensions
on 200 mm profile

Product features

- Extension modules for all Spectrochem BE 65 and 66 series pressure control panels
- For corrosive gases and mixtures up to quality 6.0
- Laboratory-style design
- Designed for easy installation
- With filter at the inlet of the individual extension modules

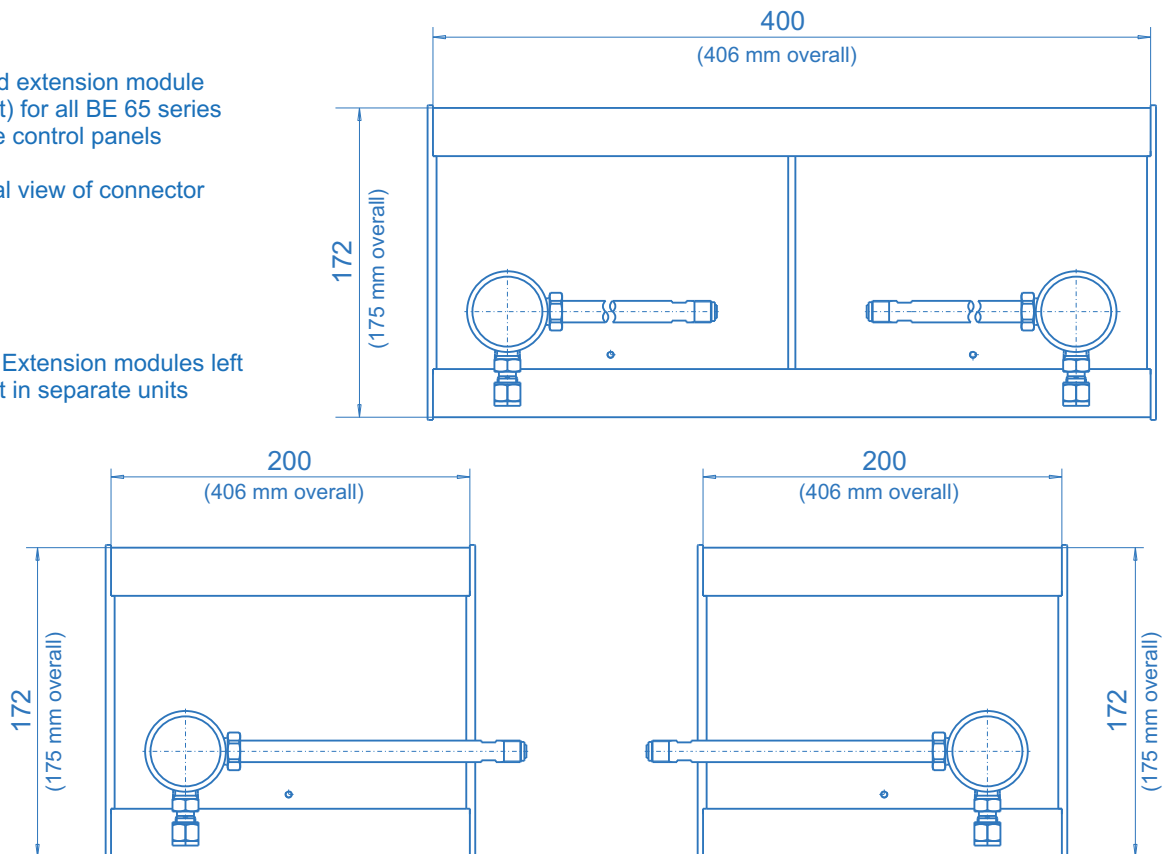
Technical data

Inlet pressure P₁	max. 300 bar
Materials	
Manifold body:	SS 316L (SS1.4404)
Filter:	Sintered SS 316L
O-ring (for M12 connection):	FKM or EPDM (NH ₃)
Inlet connection	SS compression ring fitting 6x1 mm
Temperature range	-30°C to +60°C
Weight	approx. 1 kg per side

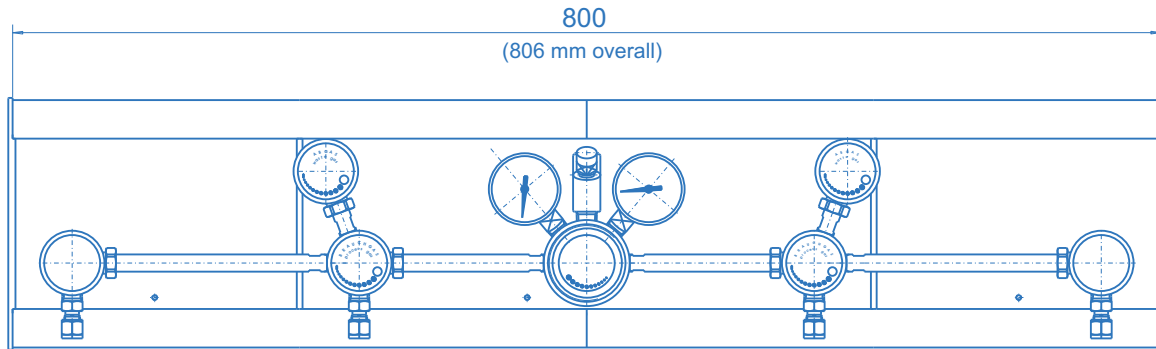
Right:
Standard extension module
(left/right) for all BE 65 series
pressure control panels

Sectional view of connector
glands!

Bottom: Extension modules left
and right in separate units



Extension modules completely assembled
(example: pressure control panel BE 65-2)



Additional configurations upon request!

Ordering information:
Extensions BE 65-E

BE 65 - E - 2 x 2

Type

- 1 x 2 - Extensions for panels BE 65/66-1 to 2 cylinders
- 1 x 3 - Extensions for panels BE 65/66-1 from 1 x 2 to 1 x 3 cylinders
- 1 x 4 - Extensions for panels BE 65/66-1 from 1 x 2 to 1 x 4 cylinders
- 2 x 2 - Extensions for panels BE 65/66-2 ... to 2 x 2 cylinders
- 2 x 3 - Extensions for panels BE 65/66-2 ... from 2 x 2 to 2 x 3 cylinders
- 2 x 4 - Extensions for panels BE 65/66-2 ... from 2 x 2 to 2 x 4 cylinders

Specifications

- SPECTROCEM - components guarantee maximum quality by using high grade materials and a quality assurance program acc. to ISO 9001.
- All components which come into contact with the medium are cleaned in an ultrasonic cleaning system (CFC-free) with the special cleaning process SPECTRO-CLEAN® and are then baked out.
- SPECTROCEM - components undergo a 100% Helium-leak-test.

Important note regarding component selection

- In order to assure safe operation it is essential to take the configuration of the whole system into account when selecting system components.
- The function of the components, the compatibility of the materials, correlating temperature ranges, correct installation, operation and maintenance in accordance with the relevant regulations are the responsibility of the system designer and the user.