

Tapping point pressure regulator ET2000 with flow indication

spectro **tec**



ET2000 - 40 - FL 30 - NFG



ET2000 - 40 - 2FL 30 - NFG



ET2000 - DM 16 - NFG

Product features

- Tapping point pressure regulator with flow indication (flowmeter or flow gauge)
- For non-corrosive industrial gases
- Gas specific orifice in the outlet with flow gauge-version
- Tested for use with oxygen
- Single-stage type with high control accuracy
- Central filter in the pressure regulator
- Safety pressure gauge acc. to DIN EN ISO 5171
- Compact design
- Light weight

Technical data

Type	single-stage
Inlet pressure P₁	max. 40 bar
Indication range	0,2 - 30 l/min.
Materials	
Body:	brass
Diaphragm:	EPDM
Valve cone:	EPDM
Protection cap:	polycarbonate
In- / outlets	
Inlet	NFG, O ₂ : G 3/8" union nut FG: G 3/8"LH union nut
Outlet	NFG, O ₂ : G 1/4" + gland 6 mm FG: G 3/8"LH +gland 9 mm
Temperature range	-30°C to +60°C
Leak rate	<10 ⁻⁴ mbar l/s He
Weight	ET2000 DM: 1,3 kg ET2000 FL: 1,4 kg ET2000 2FL: 1,8 kg

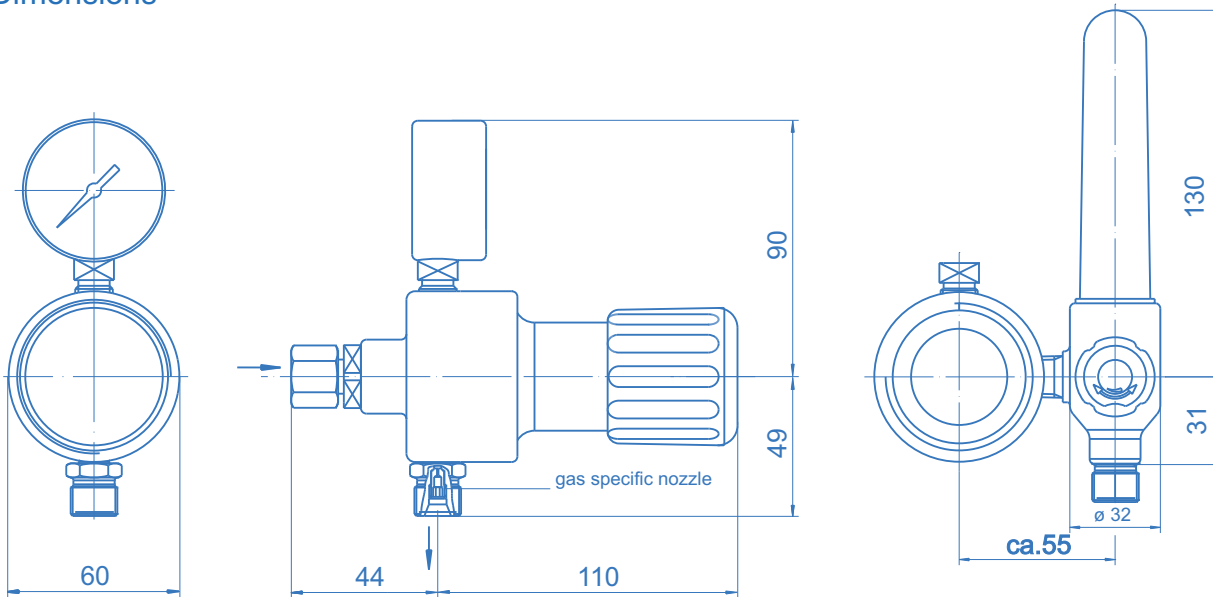
Flowmeter FL for the pressure regulator ET2000:

indication flow rate [l/min.]	medium	pressure
FL 1: 0,2 - 1,0	Ar-CO ₂	1,4 bar
FL 5: 1,0 - 5,0	argon	
FL 16: 2,0 - 16	Ar-CO ₂ hydrogen nitrogen Ar-H ₂	4 bar
FL 30: 5,0 - 30	Ar-CO ₂ hydrogen forming gas	

Tapping point pressure regulator ET2000 with flow indication

spectro tec

Dimensions



Ordering information:
Tapping point pressure regulator ET2000 with flow indication

ET2000 - 40 - FL16 - NFG

Type	Gas type		
	O2 oxygen	NFG non flammable gases	FG flammable gases
<u>Flow gauge (nur für Ar-Co₂)</u>			
DM 16 - flow rate 1-16 l/min		717.05913	
DM 32 - flow rate 4-32 l/min		717.05914	
<u>Flowmeter</u>			
FL 1 - flow rate 0,2-1 l/min		717.05909	
FL 5 - flow rate 1-5 l/min		717.05910	
FL 16 - flow rate 2-16 l/min		717.05911	
FL 30 - flow rate 5-30 l/min		717.05912	
2FL 16 - double flowmeter 2-16 l/min.		717.07197	
2FL 30 - double flowmeter 5-30 l/min.		717.07198	
part number			

Other glands and union nuts

hose	thread	gland	hose	thread	gland	union nut
6	G 1/4"	700.50050	8	G 3/8"	471.40770	G 1/4" 700.50030
8	G 1/4"	723.18928	9	G 3/8"	471.40090	G 3/8" 700.50130
			10	G 3/8"	722.17034	G 3/8"LH 700.50040