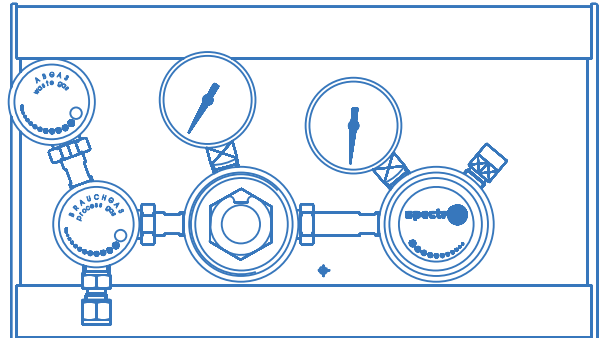


Pressure control panel BM66-1

spectro lab



Pressure control panel BM66-1



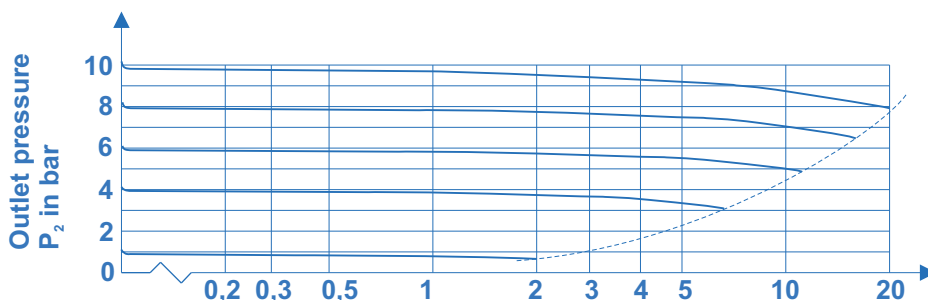
Product features

- Double stage wall- and cabinet-mounting pressure control panels
- For non-corrosive gases up to quality 6.0
- Laboratory-style design
- Ergonomically designed
- Modular design (to be extended to 2x2, 2x3 etc. cylinders)
- Filter at the process gas inlet valve
- Diaphragm-type shut-off valves optimised for low internal volume with On/Off position indicator
- Suitable for ECD-applications
- 2 pressure regulators with very high control accuracy and integrated relief valve
- Designed for easy installation
- Tested for use with oxygen
- Suitable for inlet pressure values up to 300 bar
- Compact design especially for installation into safety cabinets for gas cylinders

Technical data

Type:	double-stage
Inlet pressure P_1:	max. 300 bar
Outlet pressure P_2:	1.5 / 4 / 10 bar
Materials:	
Body regulator and valves:	chrome-plated brass
Valve seat regulator:	PA 11
Valve seat valves:	PVDF
Diaphragm regulator:	SS 301 (SS 1.4310)
Diaphragm valve:	Hastelloy C276
Soft goods:	Viton (FKM)
Filter:	sintered SS 316L
Inlet connector:	SS compression fitting 6x1 mm
Temperature range:	-30°C to +60°C
Leak rate: (to atmosphere)	1x10 ⁻⁸ mbar l/s He
(via seat)	1x10 ⁻⁶ mbar l/s He
Pressure gauge:	Safety pressure gauges ISO5171/KI1.6/NG50
Weight:	approx. 6 kg

Flow curves BM66

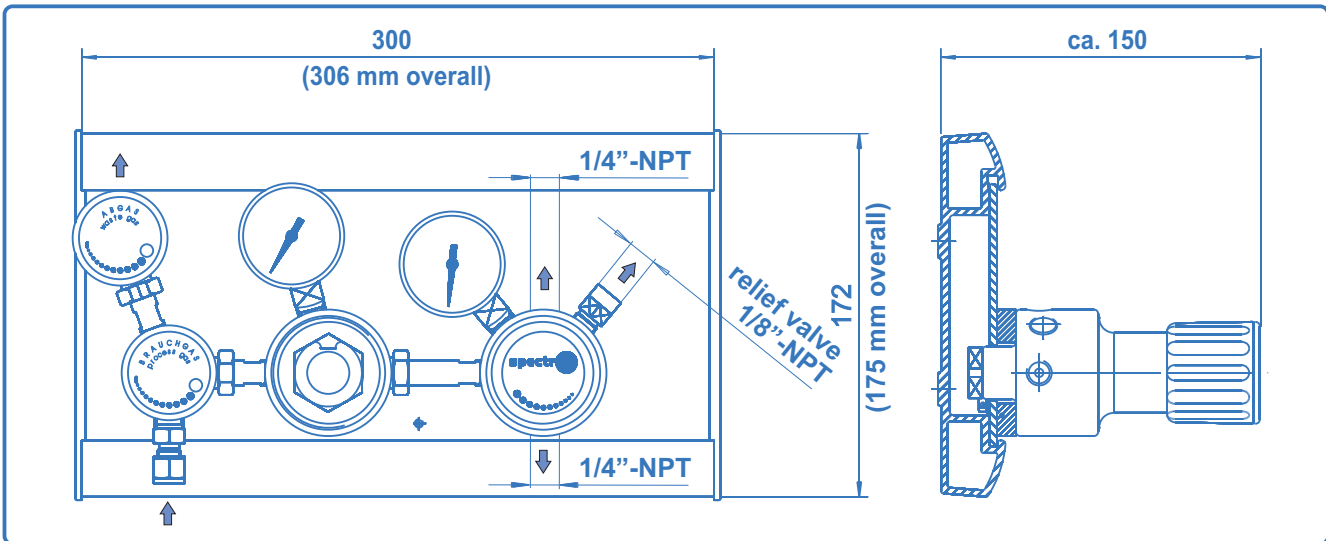


BM66
Inlet pressure
 $P_1 = 21$ bar

Flow rate
 Q in m³/h Luft

Pressure control panel BM66-1

spectro lab



Ordering information:
Pressure control panels BM66-1

BM - 66 - 1 - 300 - 10 - M - M - O - N₂

Please specify gas type with your order (valve seat material)

Inlet pressure P₁

300 - max. 300 bar

Outlet pressure P₂

1,5 - max. 1,5 bar
4 - max. 4 bar
10 - max. 10 bar

Vordruckanzeige

M - pressure gauge
K - contact gauge

Gas type

Please specify gas type with your order (selection of valve seat material)

Outlet

O - top
U - bottom

Outlet press. indication

M - pressure gauge
K - contact gauge

Specifications

- SPECTROLAB - components guarantee maximum quality by using high grade materials and a quality assurance program acc. to ISO 9001.
- All components which come into contact with the medium are cleaned in an ultrasonic cleaning system (CFC-free) with the special cleaning process SPECTRO-CLEAN[®] and are then baked out.
- SPECTROLAB - components undergo a 100% function- and Helium-leak-test.

Pressure indication

- All pressure regulators can be equipped with pressure gauges or contact gauges for in- and outlet pressure indication.

Important note regarding component selection

- In order to assure safe operation it is essential to take the configuration of the whole system into account when selecting a control panel.
- The function of the components, the compatibility of the materials, correlating temperature ranges, correct installation, operation and maintenance in accordance with the relevant regulations are the responsibility of the system designer and the user.