

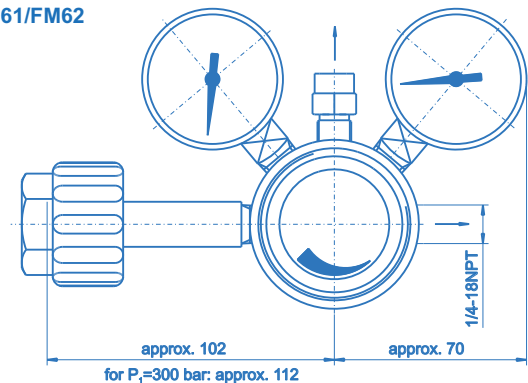
Cylinder regulator FM 61/ FM 62

spectro lab



Cylinder regulator FM 61

Dimensions FM61/FM62



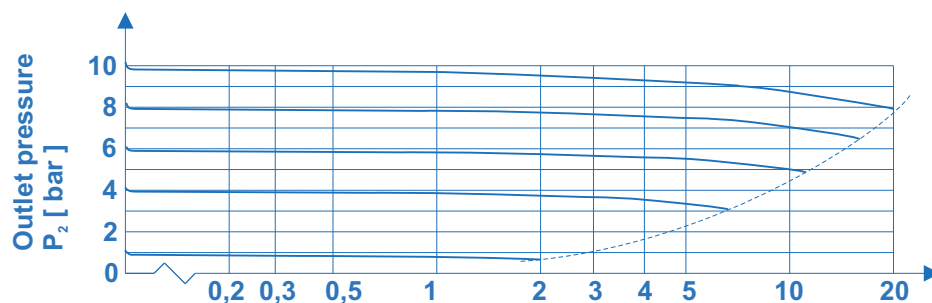
Product features

- Single- and dual-stage cylinder pressure regulators
- Simple and safe gas withdrawal from gas cylinders, for non-corrosive gases and gas mixtures up to quality 6.0
- New laboratory-style design
- Manual cylinder connection (not for metal-to-metal sealing connections)
- Ergonomically designed
- Filter at the regulator inlet
- Suitable for ECD-applications
- High control accuracy
- Integrated relief valve
- Simple outlet pressure limitation by handwheel
- Powder-coated bonnet
- Piston type regulators for outlet pressure >20 bar
- Tested for use with oxygen
- Compact design

Technical data

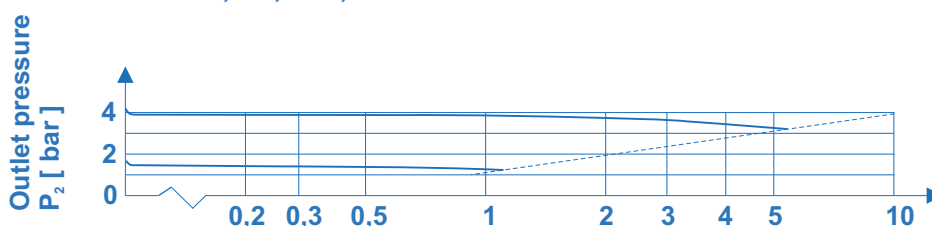
Inlet pressure P_1	max. 200/300 bar
Max. Outlet pressure P_2	1,5/4/10/20/50/100 bar
Flow rate Q	see flow curves
Materials	
Body:	chrome-plated brass
Diaphragms:	SS 1.4310 (SS 301)
Valve seat:	PA11 or EPDM, depending on gas type
Piston ($P_2 > 20$ bar):	brass
Cylinder connection	acc. to international standards and gas type
Outlet connector	1/4"-18 NPT-F
Relief valve connector	1/8"-27 NPT-F
Leak rate	10 ⁻⁸ mbar l/s He
Weight	1,8 kg (FM61) 2,1 kg (FM62)

Flow curves FM 61 / FM 62



FM 61
Inlet pressure
 $P_1 = 21$ bar

Flow rate
Q [m³/h air]



FM 62
Inlet pressure
 $P_1 = 9$ bar

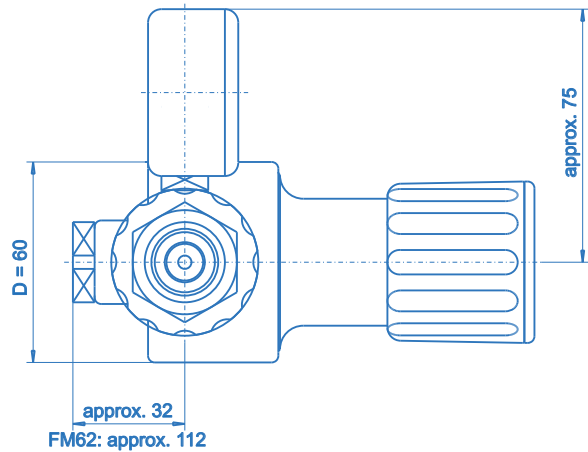
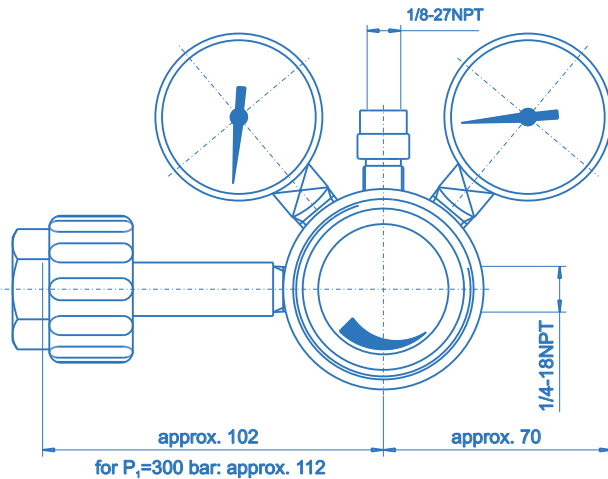
Flow rate
Q [m³/h air]

Cylinder regulator FM 61/ FM 62

spectro lab

Cylinder pressure regulator FM61/FM62

Side view



Additional configurations upon request!

Ordering information:
FM 61/ FM 62 series cylinder regulators

FM 61 - 200 - 10 - DIN 10 - N₂

Please specify gas type with your order (valve seat material)

Type

- 61 - single-stage regulator
- 62 - dual-stage regulator

Inlet pressure P₁

- 200 - max. 200 bar
- 300 - max. 300 bar

Outlet pressure P₂

- 1,5 - up to 1,5 bar (2-stage only)
- 4 - up to 4 bar (2-stage only)
- 10 - up to 10 bar (2-stage only)
- 20 - up to 20 bar (1-stage)
- 50 - up to 50 bar (1-stage, piston type regulator)
- 100 - up to 100 bar (1-stage, piston type regulator)

Type of gas

Please specify gas type!

Cylinder connection

Detailed description of the cylinder connection including the relevant standard and the number of the connection (e.g. BS no. 3)

Specifications

- SPECTROLAB - components guarantee maximum quality by using high grade materials and a quality assurance program acc. to ISO 9001.
- All components which come into contact with the medium are cleaned in an ultrasonic cleaning system (CFC-free) with the special cleaning process SPECTRO-CLEAN® and are then baked out.
- SPECTROLAB - components undergo a 100% Helium-leak-test.

Pressure indication

- All pressure regulators are equipped with pressure gauges for inlet- and outlet pressure indication.

Important note regarding component selection

- In order to assure safe operation it is essential to take the configuration of the whole system into account when selecting a pressure regulator.
- The function of the regulator, the compatibility of the materials, correlating temperature ranges, correct installation, operation and maintenance in accordance with the relevant regulations are the responsibility of the system designer and the user.