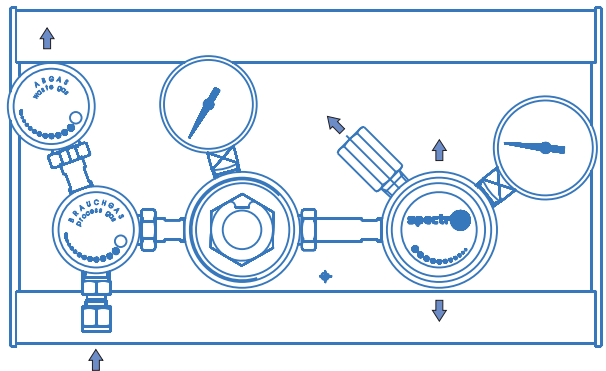


Pressure control panel BE66-1

spectro**cem**



Pressure control panel BE66-1



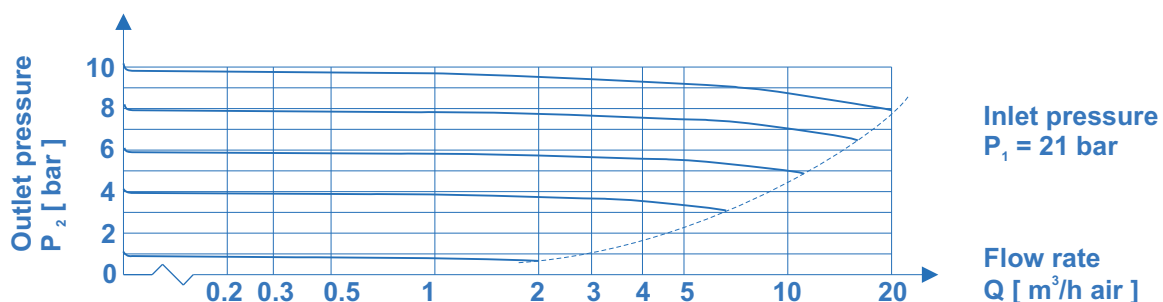
Product features

- Double stage wall- and cabinet-mounting stainless steel pressure control panels
- For corrosive gases and gas mixtures with corrosive components up to quality 6.0 *
- Laboratory-style design
- Ergonomically designed
- Modular design (to be extended to 2, 3 etc. cylinders)
- Filter at the process gas inlet valve
- Pressure regulator with Hastelloy diaphragm
- Diaphragm-type shut-off valves optimised for low internal volume with on/off position indicator
- Suitable for ECD-applications
- 2 pressure regulators with high control accuracy and integrated relief valve
- Designed for easy installation
- Tested for use with oxygen
- Suitable for inlet pressure values up to 300 bar
- Compact design especially for installation into safety cabinets for gas cylinders

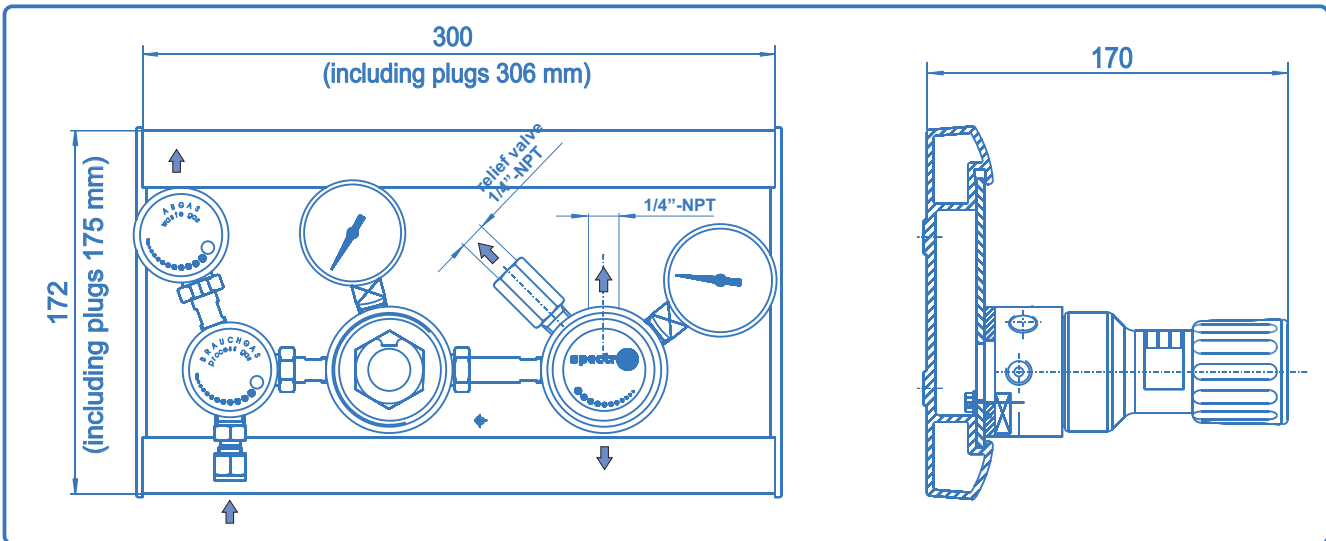
Technical data

Type	double-stage
Inlet pressure P_1	max. 300 bar
Outlet pressure P_2	1,5 / 4 / 10 bar
Materials	
Body regulator and valves:	SS 316L (SS 1.4404)
Valve seat regulator:	PCTFE
Valve seat shut-off valve:	PCTFE
Diaphragm regulator:	Hastelloy C276
Diaphragm valve:	Hastelloy C276
Piston ($P_2=50/100\text{bar}$):	SS 316L (SS 1.4404)
Soft goods:	FKM or EPDM (NH_3)
Filter:	Sintered SS 316L
Inlet connector	SS compression ring fitting 6x1 mm
Outlets	1/4"-NPT female
Temperature range	-30°C to +60°C
Leak rate (to atmosphere)	1×10^{-8} mbar l/s He
(via seat)	1×10^{-6} mbar l/s He
Pressure gauges	Safety pressure gauges ISO5171/cl 1.6/NG50
Weight	approx. 8 kg

Flow curves BE66



Pressure control panel BE66-1



Ordering information: Pressure control panels BE66-1

BE66 - 1 - 300 - 10 - M - M - O - N₂

Please specify gas type with your order

Inlet pressure P₁

300 - max. 300 bar

Outlet pressure P₂

1,5 - up to 10 bar

4 - up to 20 bar

10 - up to 50 bar

Inlet press. indication

M - pressure gauge

K - contact gauge

Gas type

Please specify gas type with your order (selection of valve seat material)

Outlet

O - top

U - bottom

Outlet press. indication

M - pressure gauge

K - contact gauge

Specifications

- SPECTROCEM - components guarantee maximum quality by using high grade materials and a quality assurance program acc. to ISO 9001.
- All components which come into contact with the medium are cleaned in an ultrasonic cleaning system (CFC-free) with the special cleaning process SPECTRO-CLEAN® and are then baked out.
- SPECTROCEM - components undergo a 100% Helium-leak-test.

Important note regarding component selection

- In order to assure safe operation it is essential to take the configuration of the whole system into account when selecting a control panel.
- The function of the components, the compatibility of the materials, correlating temperature ranges, correct installation, operation and maintenance in accordance with the relevant regulations are the responsibility of the system designer and the user.

*) Important note regarding corrosive gases

Using gas mixtures with corrosive components >1% or very critical applications, we recommend our pressure control panels SE in combination with the purge- and connection block SBE/3.